

# SYSTEM **F** FREE SPAN SYSTEM

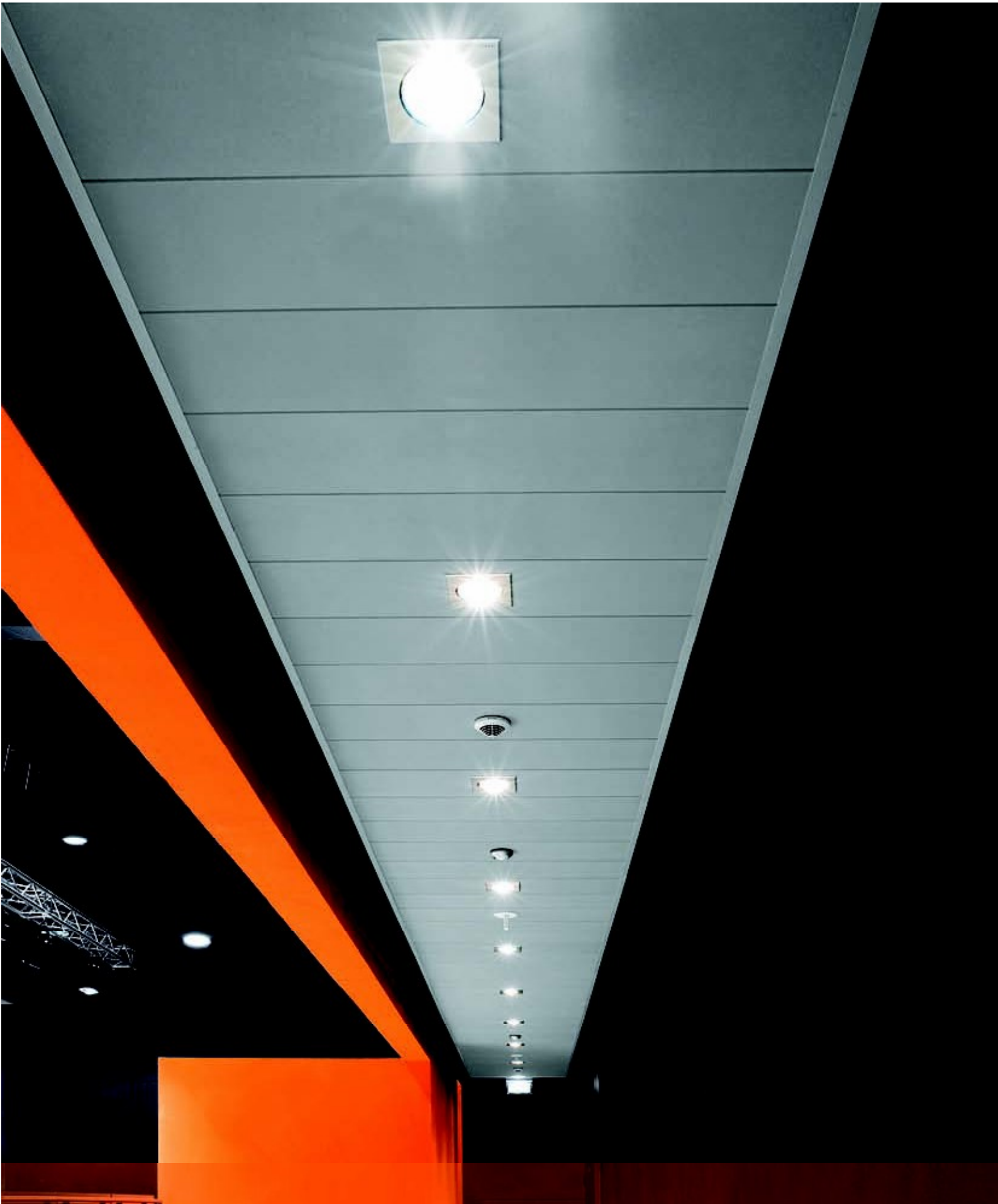


## FACE PATTERNS

SYSTEM F is a free span ceiling system that is ideal for corridors. Ceiling planks are supported on their short edges by perimeter trim and can span up to 2500 mm. The finished ceiling has a smooth, monolithic appearance and is easy to install and maintain. Depending on the type of construction required the planks can be demountable, allowing full access to the ceiling void; or non-accessible.

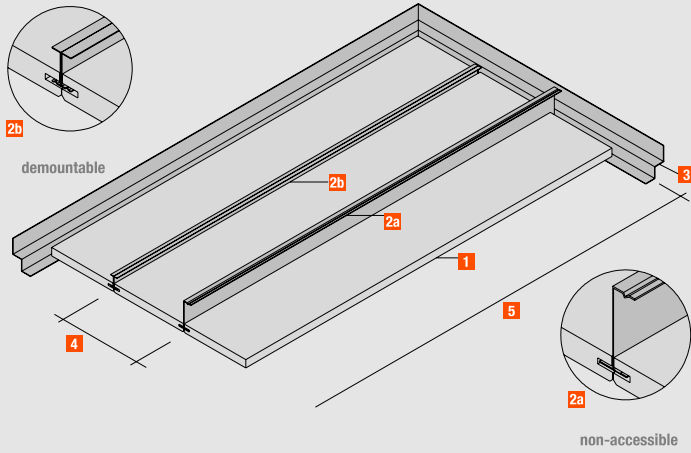
- Plain
- Fine Stratos
- Fine Stratos micro perforated
- Star
- Pinhole
- Mercure
- Saturn
- Fine Fresko
- Fresko

See page 80 for illustrations

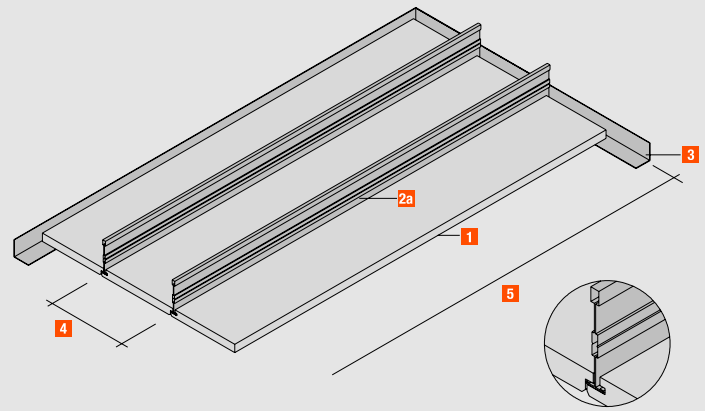


# SYSTEM F

## Free Span Type F1

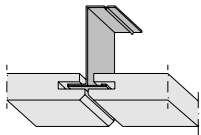


## Free Span Type F2



### Edge Details

#### non-accessible



Zed section, long edge concealed GN

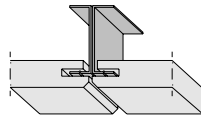


Short edge square SK



Short edge recessed VT

#### demountable



Alternative: Cee section, long edge concealed GN



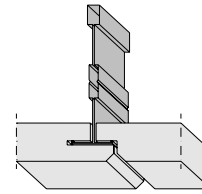
Short edge square SK



Short edge recessed VT

### Edge Details

#### demountable



Tee section, long edge shiplap AW



Short edge square SK



Short edge recessed VT

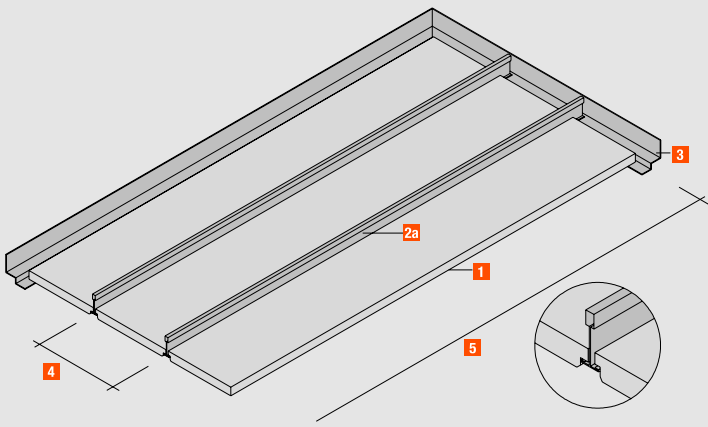
**Long edge concealed GN / short edge square SK or recessed VT demountable / non-accessible**

**Long edge shiplap AW / short edge square SK or recessed VT demountable**

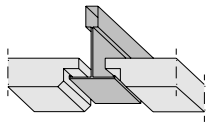
Grid size in mm		Grid size in mm													
		5 y	4 x	300 x 1600	300 x 1800	300 x 2000	300 x 2500	312,5 x 1600	312,5 x 1800	312,5 x 2000	312,5 x 2500	400 x 1600	400 x 1800	400 x 2000	400 x 2500
AMF-Mineral panel	1 pcs			2.08	2.00	1.85	1.78	1.67	1.60	1.34	1.28	1.56	1.39	1.25	1.00
Main runner F-PQT and F-PQZ for types F1, F2, F3	2a lin.m			3.34	3.20	3.34	3.20	3.34	3.20	3.34	3.20	2.50	2.50	2.50	2.50
Alternative main runner F-PQU for type F1	2b lin.m			6.68	6.40	6.68	6.40	6.68	6.40	6.68	6.40	5.00	5.00	5.00	5.00
Wall angle	3 lin.m			1.46	1.30	1.17	0.93	1.43	1.27	1.13	0.91	1.41	1.25	1.13	0.90

To choose the correct long edge section for the panel size, please consult the profile span table.  
The table is applicable to construction types F1 to F3.

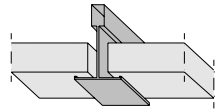
# Free Span Type F3



## Edge Details



Tee section, long edge recessed VT



Tee section, long edge square SK



Short edge square SK



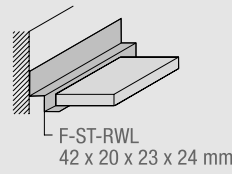
Short edge recessed VT



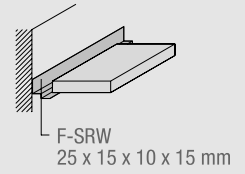
Short edge square SK

Long edge recessed VT or square SK / short edge recessed VT or square SK demountable

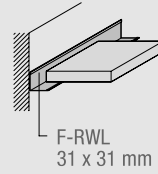
# Accessories



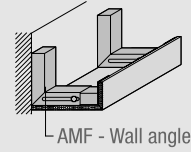
F-ST-RWL  
42 x 20 x 23 x 24 mm



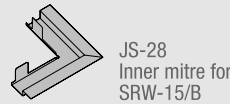
F-SRW  
25 x 15 x 10 x 15 mm



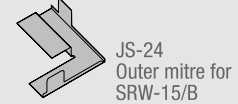
F-RWL  
31 x 31 mm



AMF - Wall angle

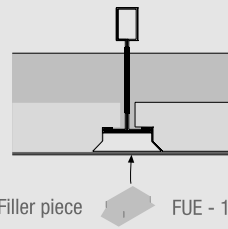


JS-28  
Inner mitre for  
SRW-15/B



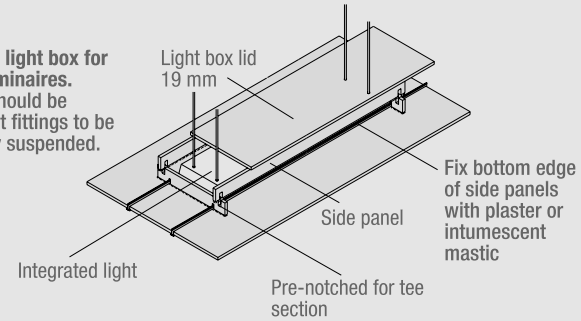
JS-24  
Outer mitre for  
SRW-15/B

For type F3



Filler piece FUE - 15 / 24

Fire-resistant light box for integrated luminaires. Test reports should be followed. Light fittings to be independently suspended.



Wall angle / Filler piece / Fire-Resistant Light Box

						300		312,5		400		
	Tile width (mm)					15	19	15	19	15	19	
	Tile thickness (mm)					max.span (mm)		max.span (mm)		max.span (mm)		
	Profile	Height (mm)	Thickness (mm)	Weight (kg/lin.m.)	max.span (mm)		max.span (mm)		max.span (mm)			
Type 1	PQU 12 / 38		38	1.0	0.42	2000	1800	2000	1800	1800	1600	
	PQU 10 / 74		74	0.6	0.42	2500	2500	2500	2500	2500	2500	
Type 2	PQZ 19 / 50		50	0.5	0.46	2100	2000	2100	2000	1900	1800	
	PQZ 19 / 70		70	0.5	0.56	2500	2300	2300	2200	2300	2200	
Type 3	PQT 24 / 38		38	0.4	0.35	1800	1700	1800	1700	1700	1600	
	PQT 75 / 24		75	0.5	0.75	2500	2500	2500	2500	2500	2500	
Perimeter trim		Thickness (mm)	Suitable for spanning up to:			Shadow trim		Thickness (mm)	Suitable for spanning up to:			
RWL 31 / 31			1.0 mm	2500 mm			ST-RWL 25 / 15 / 10 / 15			1.0 mm	15 mm mineral plank 2000 mm 19 mm mineral plank 1800 mm Kombimetall 1400 mm	
RWL 40 / 30			1.0 mm	2500 mm			ST-RWL 20 / 20 / 20 / 20			0.7 mm		
							ST-RWL 42 / 20 / 23 / 24			1.5 mm	2500 mm	