

SYSTEM **C** EXPOSED GRID SYSTEM



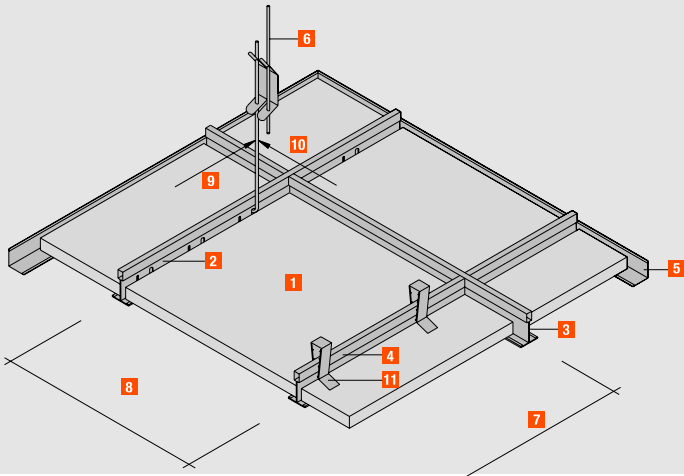
FACE PATTERNS

System C utilises the popular exposed suspension grid as a proactive element in ceiling design. Square edged (SK) ceiling panels are laid into the grid and give a flush visual appearance. Tiles with recessed edges (VT) allow greater creative design options with both 24 and 15 mm wide tee sections. System C is quick and easy to install, and simple to access for maintenance in the ceiling void. Worldwide test reports and certificates demonstrate that AMF System C is an exceptional ceiling construction.

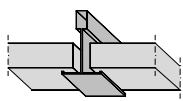
- Plain
- Fine Stratos
- Laguna
- Fine Stratos micro perforated
- Laguna micro perforated
- Star
- Pinhole
- Mercure
- Saturn
- Fine Fresko
- Fresko

See page 80 for illustrations

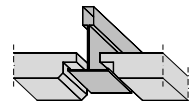




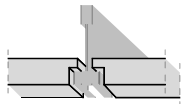
Edge details



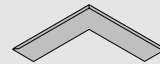
SK 15 / 24



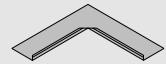
VT 15 / 24



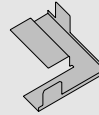
VT-S-15 F



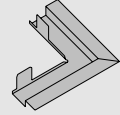
JS - 15
Outer mitre for RWL 24 / 24



JS - 17
Inner mitre for RWL 24 / 24



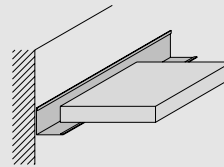
JS - 24
Outer mitre for SRW 15/B



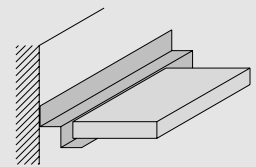
JS - 28
Inner mitre for SRW 15/B

Other wall angles and accessories are available on request.

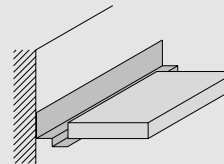
Wall angle C-RWL 24 / 24



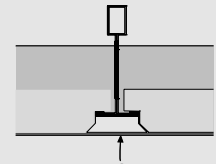
Shadow trim C-SRW 20 / 20 / 20 / 20



Shadow trim C-SRW 25 / 15 / 8 / 15



For VT edge



VT Filler piece

FUE - 15 / 24

Exposed System

Wall angle

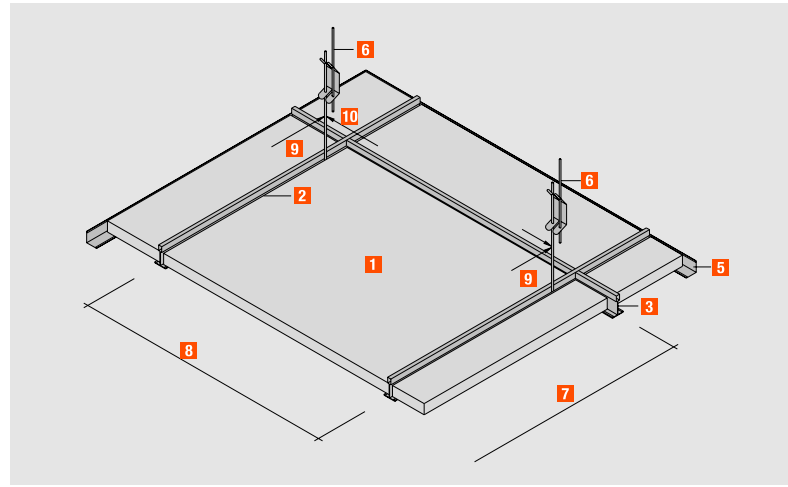
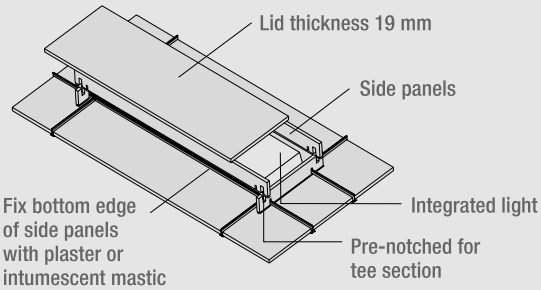
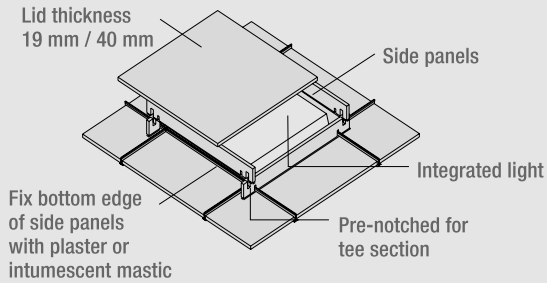
	8	Y	600 x 600	625 x 625	600 x 1200	625 x 1250	300 x 1200	312,5 x 1250	400 x 1200
	7	X							

Grid sizes in mm

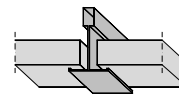
	1	pcs	2.78	2.56	1.39	1.28	2.78	2.56	2.09
AMF-Mineral ceiling panels	2	lin.m	-	0.80	-	0.80	-	0.80	-
Main runner C - PH 375	2	lin.m	0.84	-	0.84	-	0.84	-	0.84
Main runner C - PH 360	3	lin.m	1.67	1.60	1.67	1.60	3.34	3.20	2.50
C - PQ 120 or C - PQ 125 cross tee	11	pcs	5.56	5.12	2.78	2.56	5.56	5.12	4.16
C - DF hold down clip (optional) for fire protection requirements	4	lin.m	0.84	0.80	-	-	-	-	-
C - PQ 60 or C - PQ 62.5 cross tee	5	lin.m	0.60	0.60	0.60	0.60	0.60	0.60	0.60
C - RWL edge trim or A-RWU edge runner for metal	6	pcs	0.67	0.7	0.67	0.67	0.67	0.67	0.67
C - DOS hanger or alternatives	9	m	1.20	1.25	1.20	1.25	1.20	1.25	1.20
Distance between hangers	10	m	1.20	1.25	1.20	1.25	1.20	1.25	1.20
Distance between main runners									

Fire Resistant Light-Boxes to protect light fittings

Grid: 600 x 600 mm / 625 x 625 mm / 1200 x 600 mm
 300 x 1200 mm / 312.5 x 1250 mm
 Panel thickness: 19 or 40 mm
 Height: 100 mm or 80 mm, respectively
 Further sizes and heights are available on request.

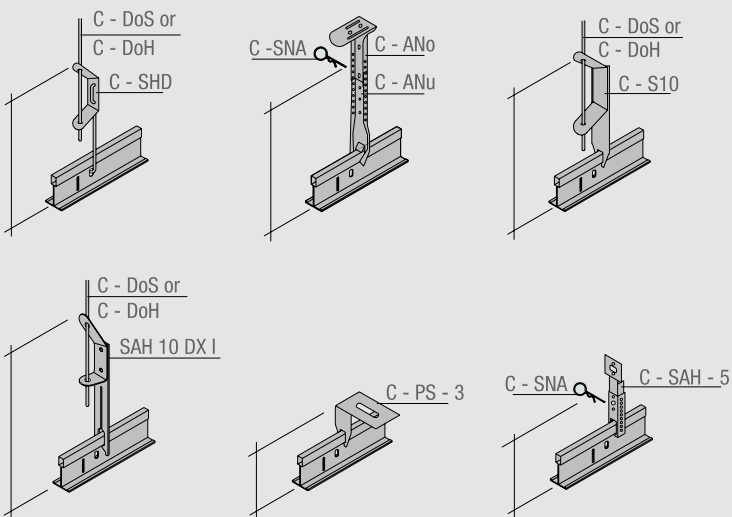


Edge details



SK 15 / 24

Hangers



SKY Large Size Panels

Grid sizes in mm			1200 x 1200	1250 x 1250
			8 Y	7 X
AMF-Mineral ceiling panels	1	pcs	0.7	0.64
Main runner C - PH 375	2	lin.m	-	0.80
Main runner C - PH 360	2	lin.m	0.84	-
C-DOS hanger or alternatives	6	pcs	0.70	0.64
C - PQ 120 or C-PQ 125 cross tee	3	lin.m	0.84	0.80
C-RWL edge trim or A-RWU edge runner for metal	5	lin.m	0.60	0.60
Distance between hangers	9	m	1.20	1.25
Distance between main runners	10	m	1.20	1.25